

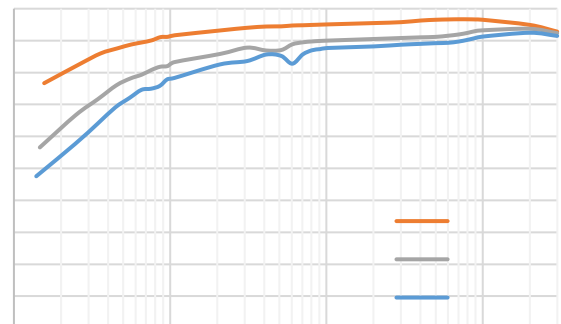
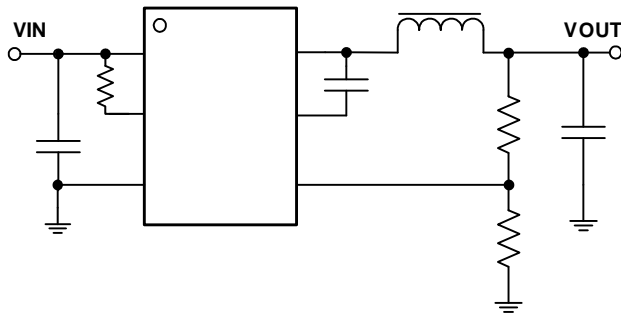
## V<sub>IN</sub>, 3A Synchronous Step-down DCDC Converter

### FEATURES

### DESCRIPTION

### APPLICATIONS

### TYPICAL APPLICATION



Efficiency, V<sub>OUT</sub>=3.3V

REVISION HISTORY



# SCT2230B

---

## ELECTRICAL CHARACTERISTICS

SYMBOL	PARAMETER	TEST CONDITION	MIN	TYP	MAX	UNIT
--------	-----------	----------------	-----	-----	-----	------

Power Supply and Output

TYPICAL CHARACTERISTICS

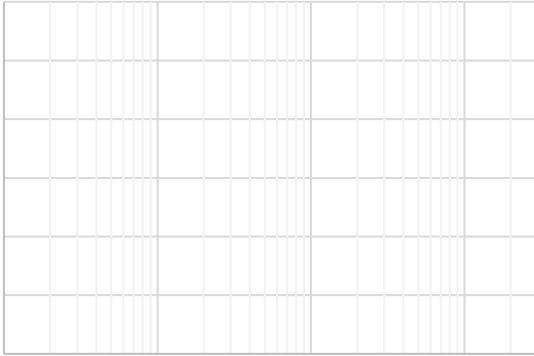


Figure 1. Efficiency vs Load Current(VIN=12V)

Figure 2. Line Regulation

Figure 3. Load Regulation

Figure 4. FB Voltage Vs. Temperature

Figure 5. UVLO Vs. Temperature

Figure 6. Quiescent Current Vs. Temperature

# SCT2230B

---

## FUNCTIONAL BLOCK DIAGRAM

OPERATION

**Adaptive On-time Control**

\_\_\_\_\_

**SCT2230B**

**Bootstrap Voltage Regulator**

**Thermal Shutdown**

°  
°

# SCT2230B

## APPLICATION INFORMATION

### Typical Application

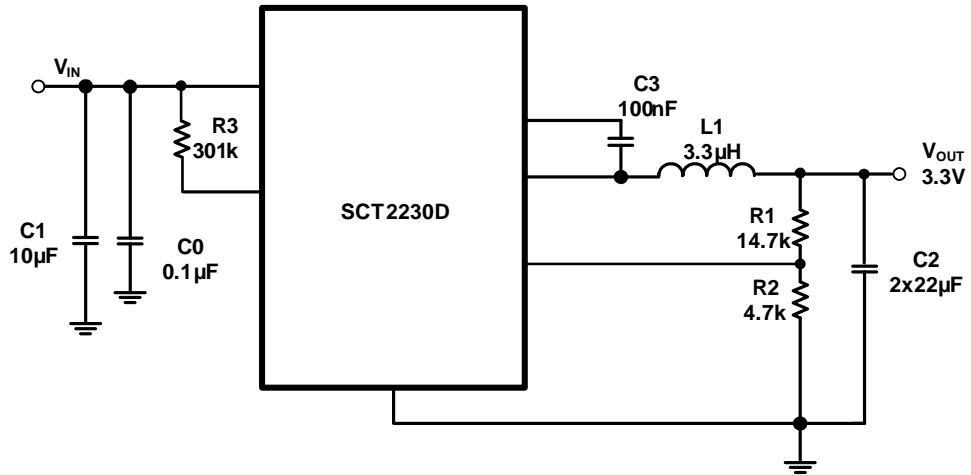


Figure 8. 12V Input, 3.3V/3A Output

### Design Parameters

Design Parameters	Example Value

**Input Capacitor Selection**

\_\_\_\_\_

—

**Table 1. Recommended Inductors**

Part Number	L (uH)	DCR Max (m )	Saturation Current/Heat Rating Current (A)	Size Max (LxWxH mm)	Vendor

**Output Feedback Resistor Divider Selection**



# SCT2230B

---

## Application Waveforms

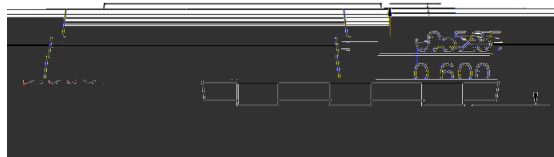
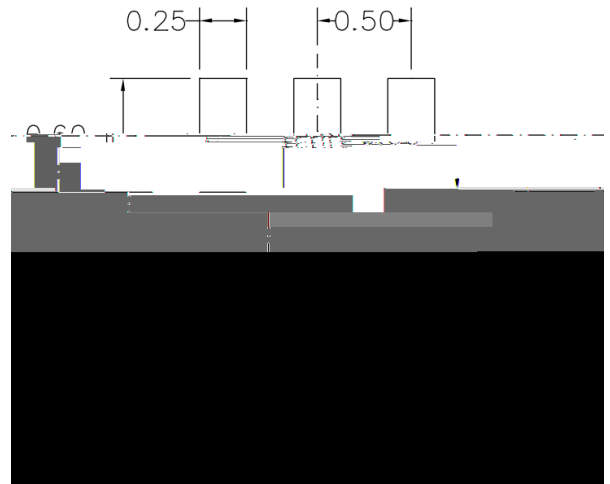
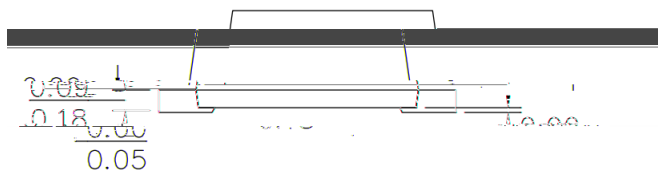
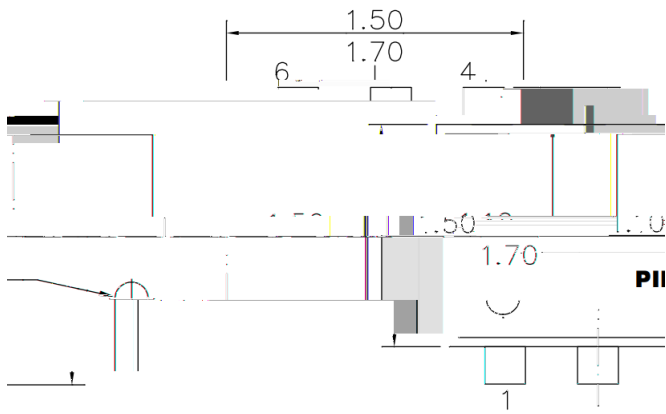
**Layout Guideline**

# SCT2230B

---

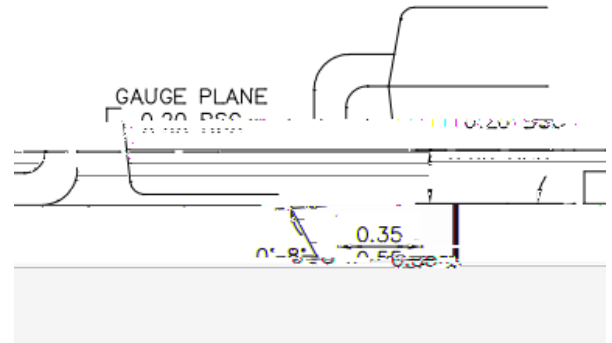
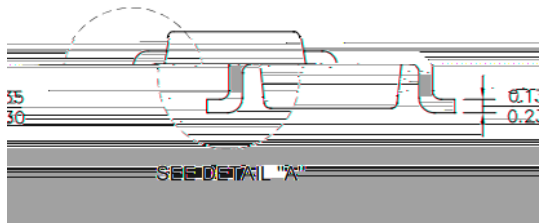
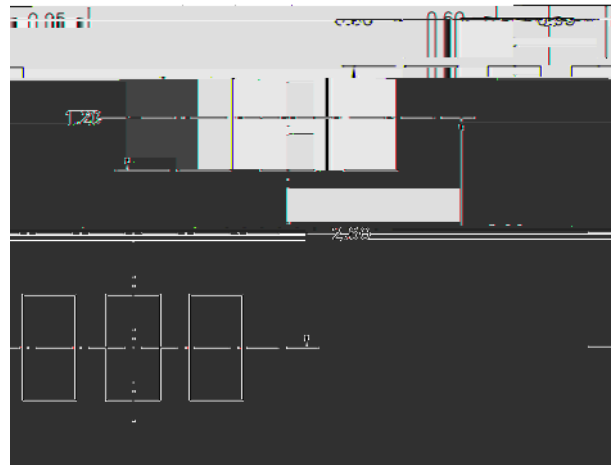
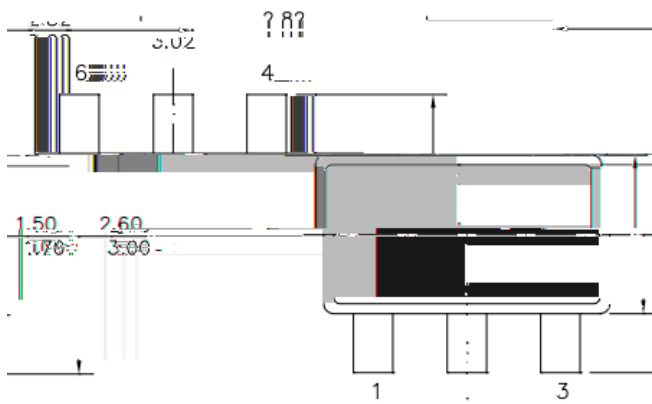
## Thermal Considerations

PACKAGE INFORMATION



NOTE:

# SCT2230B



NOTE:



# SCT2230B

---

## TAPE AND REEL INFORMATION